



CONCRETE CANCER

WHAT CAN CAUSE CONCRETE CANCER?

Concrete Cancer usually occurs when moisture reacts with any exposed wire within hardened concrete causing it to rust.

In some instances Plastic Tipped Wire Spacers have become a “wick” allowing the ingress of moisture up the leg due to damage caused by friction of the soft plastic coated tip and the formwork due to a lot of human traffic over the mesh once it has been put in place.

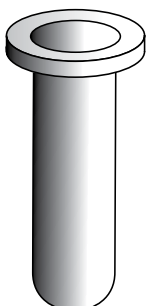
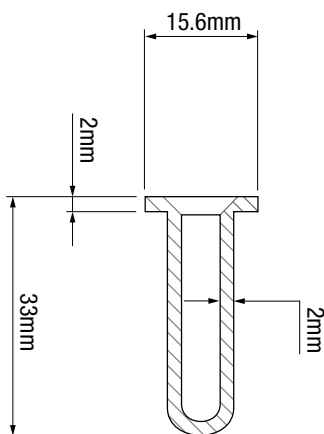


HOW CAN THE RISK BE REDUCED?

RBSC have developed a new and improved version of the Plastic Tipped Wire Spacer called the “Mesh Mate”

- The MeshMate unit has four plastic caps which are approximately 35mm long, have a lip and a nominal cover at the tip which will aid to combat the capillary action and the ingress of moisture from exposed wire tips.
- This unit will set a high standard for all wire four leg spacers.
- RBSC’s Mesh Mate has been designed to Comply with the New Bar Chair Standards AS/NZ:2425:2015 which states;

“Protective-tipped wire bar chairs shall be examined after cessation of load test. The bar chair shall not exhibit evidence of penetration of wire end through the protective plastic coating or sleeve under the tip of the wire leg”.





PRODUCT CODE	NOMINAL HEIGHT (mm)	WIRE DIAMETER (mm)	QTY/BAG	WEIGHT/BAG (kg)	BAGS/PALLET
FFL050	50	5.0	100	5.40	130
FFL065	65	5.0	100	6.30	130
FFL075	75	5.0	100	7.00	130
FFL080	80	5.0	100	7.50	125
FFL090	90	5.0	100	8.01	115
FFL100	100	5.0	100	8.61	115
FFL110	110	6.3	100	13.51	72
FFL120	120	6.3	100	14.50	66
FFL130	130	6.3	100	15.51	60
FFL140	140	6.3	100	16.50	60
FFL150	150	6.3	100	17.50	54
FFL160	160	6.3	50	9.21	99
FFL170	170	6.3	50	9.71	90
FFL180	180	6.3	50	10.05	90
FFL190	190	6.3	50	10.61	90
FFL200	200	6.3	50	11.11	80
FFL210	210	6.3	50	12.00	80
FFL220	220	6.3	50	12.50	80
FFL230	230	6.3	50	13.00	72
FFL240	240	6.3	50	13.40	72
FFL250	250	6.3	50	13.90	72
FFL260	260	6.3	50	14.40	64
FFL270	270	6.3	50	14.61	64
FFL280	280	6.3	50	15.11	64
FFL290	290	6.3	50	15.61	64
FFL300	300	6.3	50	16.10	56
FFL310	310	6.3	50	16.67	56
FFL320	320	6.3	50	17.07	56
FFL330	330	6.3	50	17.32	56
FFL340	340	6.3	50	17.57	56
FFL350	350	6.3	50	18.47	48
FFL360	360	6.3	50	18.72	48
FFL370	370	6.3	25	9.50	64
FFL380	380	6.3	25	10.02	64
FFL390	390	6.3	25	10.27	64
FFL400	400	6.3	25	10.34	64